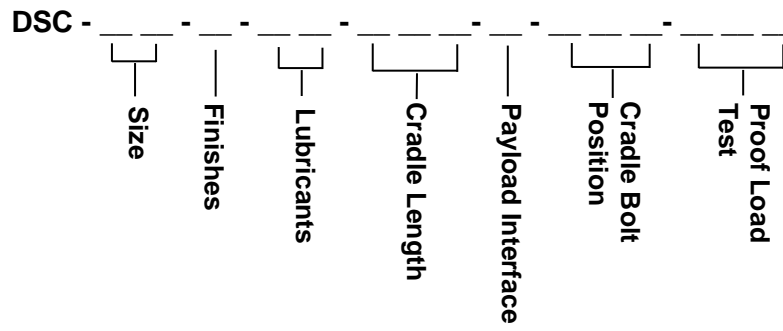




# Dual Support Cradle

Creating a model number



### Size

- P1 – Capacity: 700 lbs @ 24” – Manual rotation, pinned.<sup>1</sup>
- P2 – Capacity: 2,500 lbs @ 30” – Manual rotation, pinned.<sup>2</sup>
- G2 – Capacity: 2,300 lbs @ 30” – Gearbox driven rotation.<sup>3</sup>

### Finishes

- (blank)-Standard finishes.<sup>4</sup>
- C - - - - Clean room finishes – Same as standard with gloss white powder coated frame. Slewing ring lubricated with Krytox.

### Lubricants

- (blank) – Standard lubricants.<sup>5</sup>
- L1 - - - - Braycote 601EF on gear teeth (if applicable) & fasteners.

### Cradle Length

- B060 - - - 60” Standard length for P1 size.
- B120 - - - 120” Standard length for P2 & G2 size.
- Special length cradles available upon request in increments of 20”.*<sup>6</sup>

### Proof Load Test

- (blank) - No proof load test.
- PLT - - - Standard proof load test. Static 2X vertical load, 100% torque. (includes deliverable report)

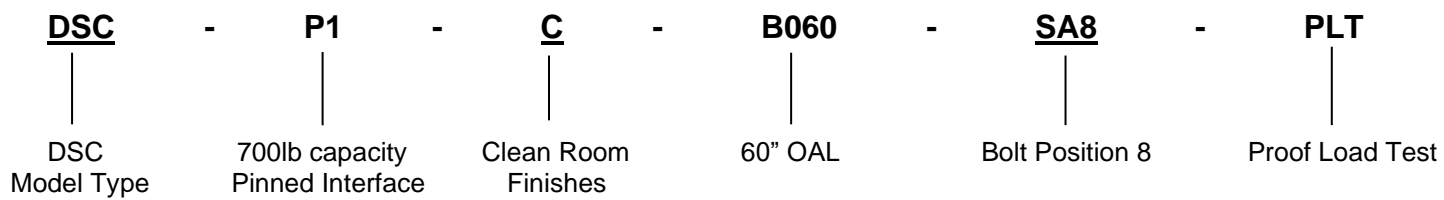
### Cradle Bolt Position

- SA1 - - - Bolt Position 1
  - SA2 - - - Bolt Position 2
  - SA3 - - - Bolt Position 3
  - SA4 - - - Bolt Position 4
  - SA5 - - - Bolt Position 5
  - SA6 - - - Bolt Position 6
  - SA7 - - - Bolt Position 7
  - SA8 - - - Bolt Position 8
- See proposal drawing load curves to determine correct bolt position. Bolt positions can be changed in the field, but the bolt position selected will be the bolt position fixture is shipped with.*

### Payload Interface

- (blank) – ESPA Grande/MLB interface. 36X ¼-28 UNF threaded holes on a Ø24” bolt circle.
- R15 - - - MLB Adapter ring included for 24X Ø.281 through holes on a Ø15” bolt circle.
- R18 - - - MLB Adapter ring included for 28X Ø.281 through holes on a Ø18.25” bolt circle.
- R24 - - - ESPA Grande/MLB Adapter ring included for 36X Ø.281 through holes on a Ø24” bolt circle.

### Example:



<sup>1</sup> P1 Size designed to be used with Flotron models XD739, XD747, and SFP-645.

<sup>2</sup> P2 Size designed to be used with Flotron models SFP-759, SFP-853, and SFP-862. When used with SFP-759, load rating is reduced to 1,800 lbs cantilevered 33” max.

<sup>3</sup> G2 Size designed to be used with Flotron models SFP-759, SFP-853, and SFP-862. When used with SFP-759, load rating is reduced to 1,800 lbs cantilevered 33” max.

<sup>4</sup> Cradle powder coated textured Flotron blue color; Stainless steel hardware; Aluminum parts chem film or hard anodize.

<sup>5</sup> Mobiltac 375NC (or equivalent) applied to all slewing ring teeth; slewing ring inner raceway lubricated with Mobilux EP2. Fasteners lubricated with Loctite 242 or Krytox.

<sup>6</sup> Cradle length specified will affect load ratings and load curves. For cradles shorter than standard, load rating will stay the same. For cradles longer than standard length, load ratings will be lower.

For more information, questions, or to request a quote for this product, please contact Flotron sales at:

P: 760-727-2700 E: sales@flotron.com