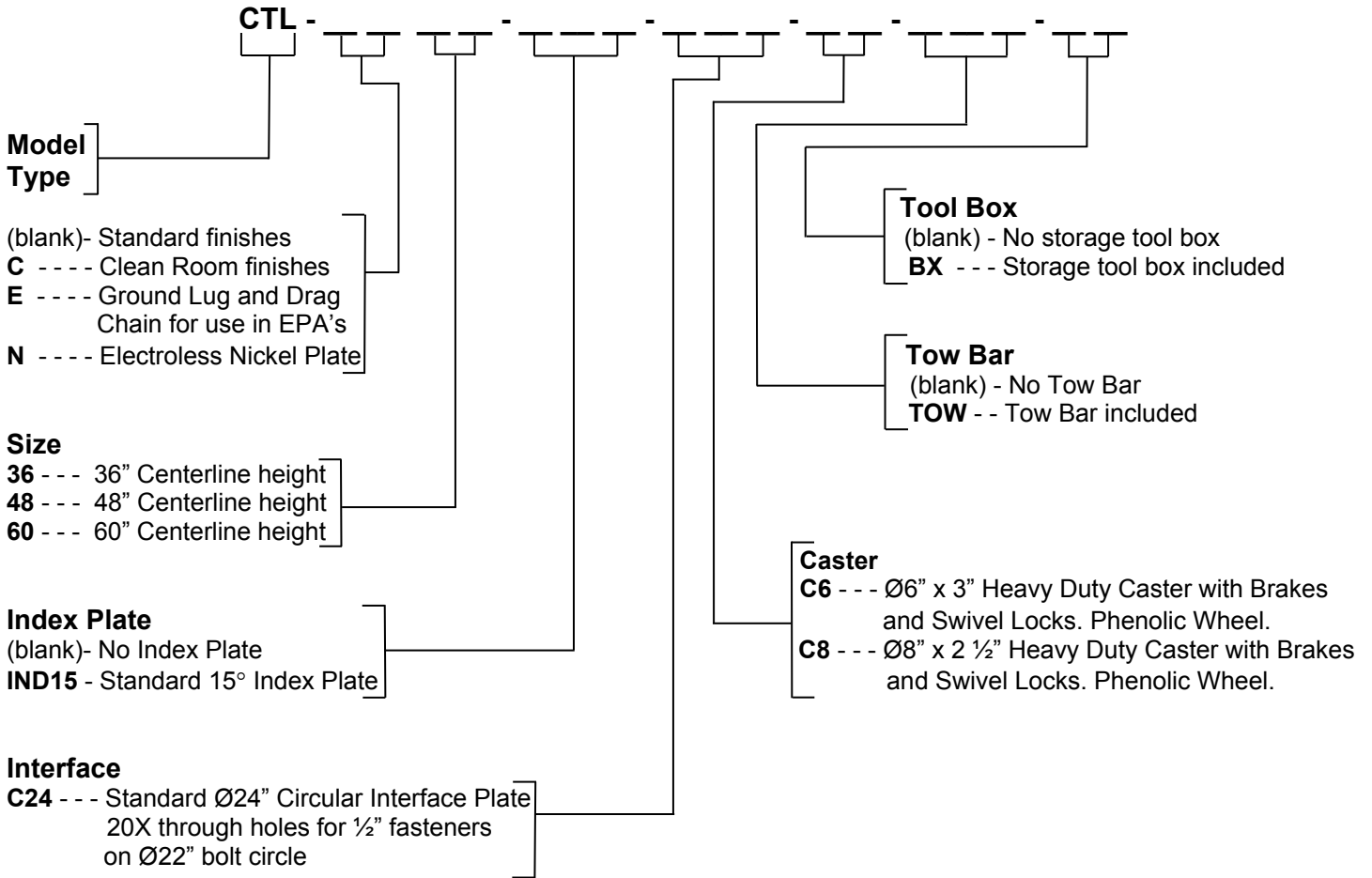




CTL Series

Creating a model number



Examples:

