

MAX FLOOR DEVIATION PER JACK WITH (F1) OPTION

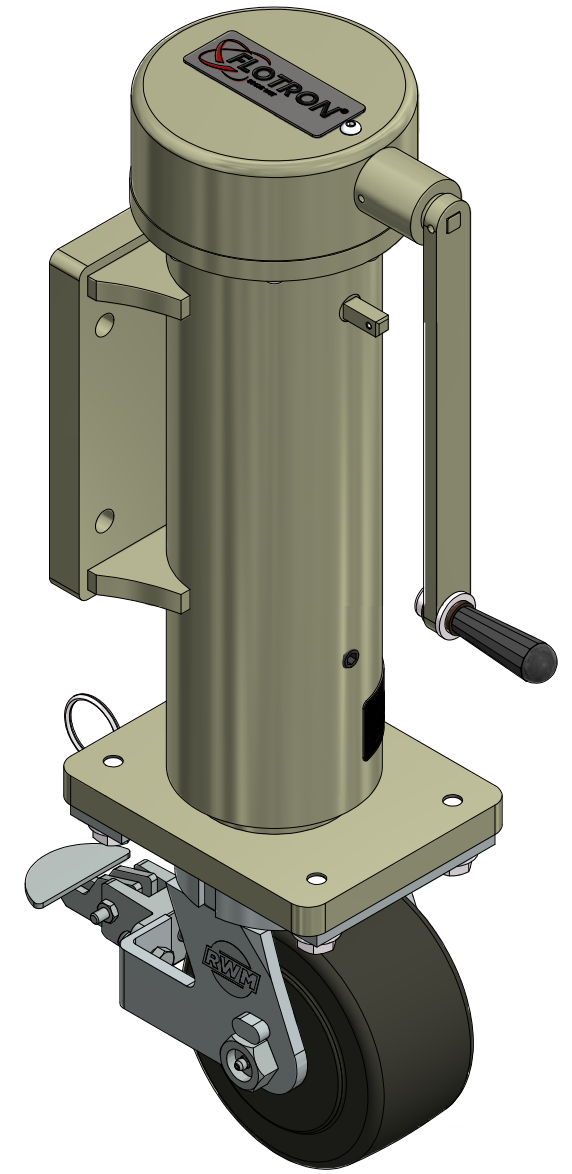
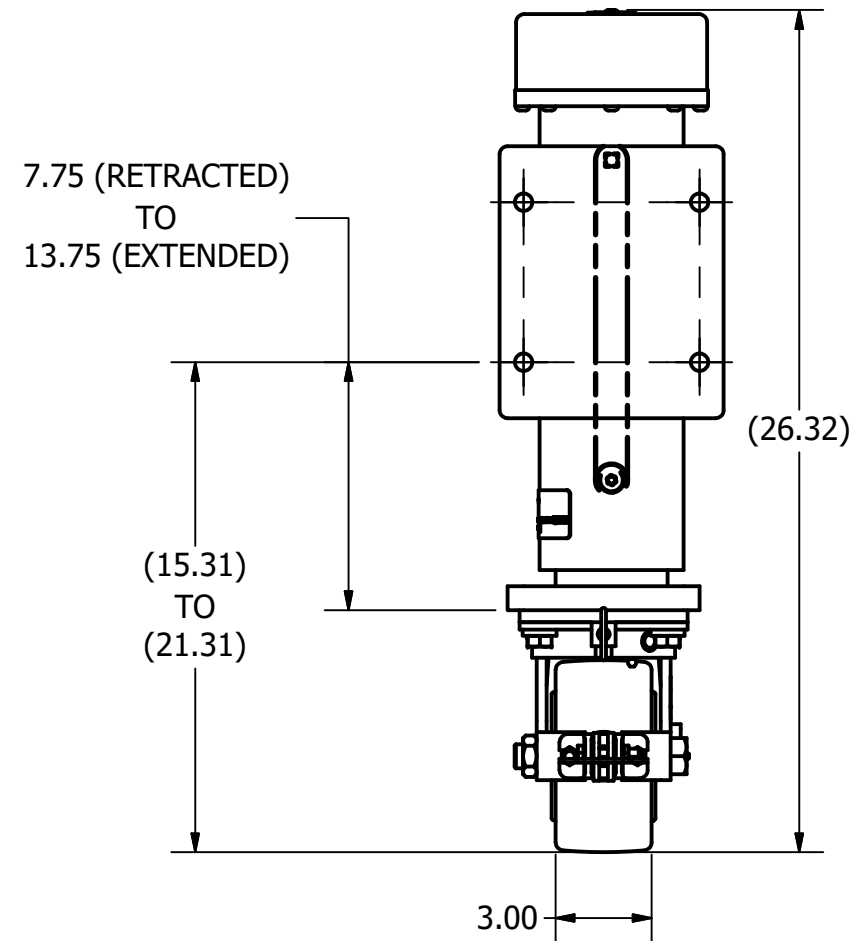
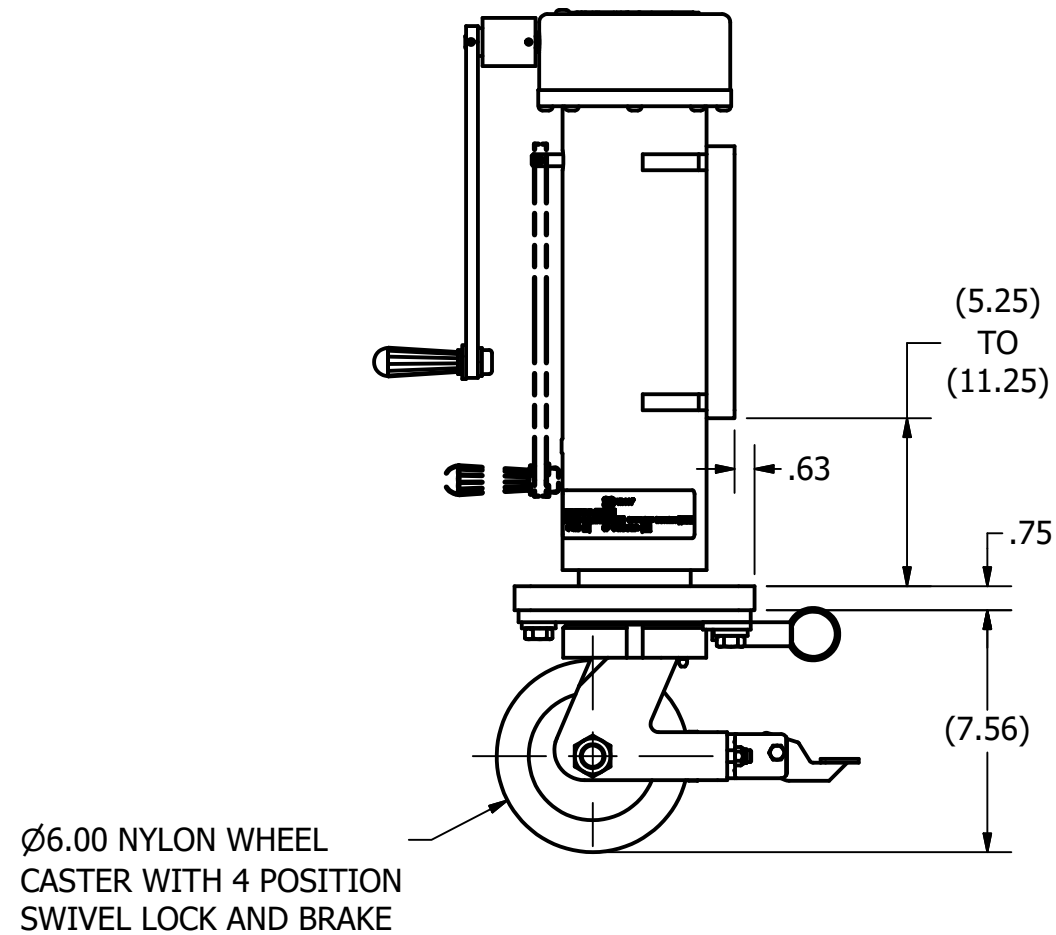
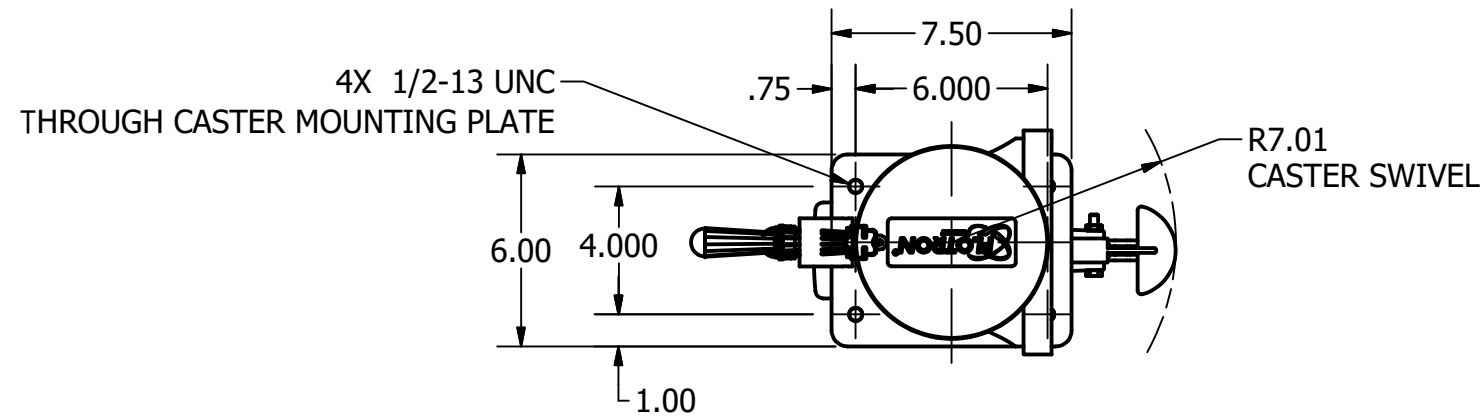
- 9. CONFIGURATION SHOWN ON THIS SHEET: LJ-4500-J2
- 8. SEE SHEET 2 FOR CASTER JACK (CJ) OPTION
- 7. FOR LEVELING FOOT OPTION (F1), ADD .531" TO DIMENSIONS SHOWN
- 6. IN LIEU OF USING THE PROVIDED HAND CRANK, A HAND DRILL CAN BE USED TO ROTATE THE INPUT CLUTCH/SHAFT. SINCE THIS JACK HAS A CLUTCH, THE USER DOES NOT NEED TO WORRY ABOUT DAMAGING JACK FROM OVER TORQUING.
- 5. JACK HANDLE ORIENTATION CAN BE ROTATED +/-90° FROM WHAT IS SHOWN ON THIS VIEW BY REMOVING FASTENERS FROM TOP CAP AND ROTATING 90°. "J2" HANDLE ORIENTATION SHOWN.
- 4. 20 TURNS OF HANDLE PER INCH LIFT OF JACK.
- 3. FINISHES: CLASS 1K (ISO 6)/CLEAN ROOM COMPATIBLE AND NO ZINC.
- 2. LUBRICANTS: SYNCO SUPER LUBE GREASE STANDARD ON SCREW THREADS.
KRYTOX LVP LUBRICANT ON SCREW WITH (L1) LUBRICANT OPTION.
BRAYCOTE LUBRICANT ON SCREW WITH (L2) LUBRICANT OPTION.
- 1. LEVELING JACK CAPACITY: SIMULTANEOUS 4,500 LBS [2,041 KG] VERTICAL LOAD & 2,250 LB [1,020 KG] SIDE LOAD WITH SFy=3 & SFu=5.

NOTES:

PROPRIETARY

This Drawing is the property of FLOTRON, Inc. and is not to be used, copied or reproduced in any way other than for the particular purpose for which it is provided, and when said purpose has been fulfilled, it should be destroyed or returned to FLOTRON, Inc.

TOLERANCES UNLESS OTHERWISE SPECIFIED		2630 PROGRESS STREET VISTA, CALIFORNIA 92081 http://www.flotron.com			
FRACTION	DEC.			ANGLES	
±.03	±.010	±.5°			
.XX	.XXX				
APPROVALS	DATE	JACK, LEVELING & CASTER, 4,500/3,250 LB CAPACITY			
DRAWN					
CHECKED		SCALE	SIZE	DRAWING NO.	REV
MFG		1 : 4	B	8026-020PROP	-
STATUS	Released	WT: 63.4 lbmass	Cad software: Inventor	SHEET 1 OF 2	



5. CONFIGURATION SHOWN ON THIS SHEET: CJ-3250-C2-J2
4. TO ORDER CASTER JACK WITH CASTER MOUNTING PLATE ONLY (NO CASTER & MOUNTING HARDWARE) SPECIFY C1 OPTION IN CONFIGURATION.
3. CASTER HAS ZINC PLATED STEEL FASTENERS AND COMPONENTS AS STANDARD. FOR NO ZINC AND AN ALL STAINLESS AND POWDER COATED CASTER, SPECIFY "C" FINISH IN CONFIGURATION.
2. CASTER LUBRICANTS: GENERAL PURPOSE BEARING GREASE STANDARD IN CASTER SWIVEL BEARING. KRYTOX LVP LUBRICANT ON SCREW AND IN CASTER SWIVEL BEARING WITH (L1) LUBRICANT OPTION. BRAYCOTE LUBRICANT ON SCREW AND IN CASTER SWIVEL BEARING WITH (L2) LUBRICANT OPTION.
1. CASTER JACK CAPACITY: SIMULTANEOUS 3,250 LBS [1,474 KG] VERTICAL LOAD & 1,625 LB [737 KG] SIDE LOAD ON CASTER WHEEL WITH SF_y=3 & SF_u=5.

NOTES:

This Drawing is the property of FLOTRON, Inc. and is not to be used, copied or reproduced in any way other than for the particular purpose for which it is provided, and when said purpose has been fulfilled, it should be destroyed or returned to FLOTRON, Inc.

FLOTRON[®]

2630 PROGRESS STREET
VISTA, CALIFORNIA 92081
<http://www.flotron.com>

SCALE	SIZE	DRAWING NO.	REV
1 : 4	B	8026-020PROP	-
SHEET			2 OF 2