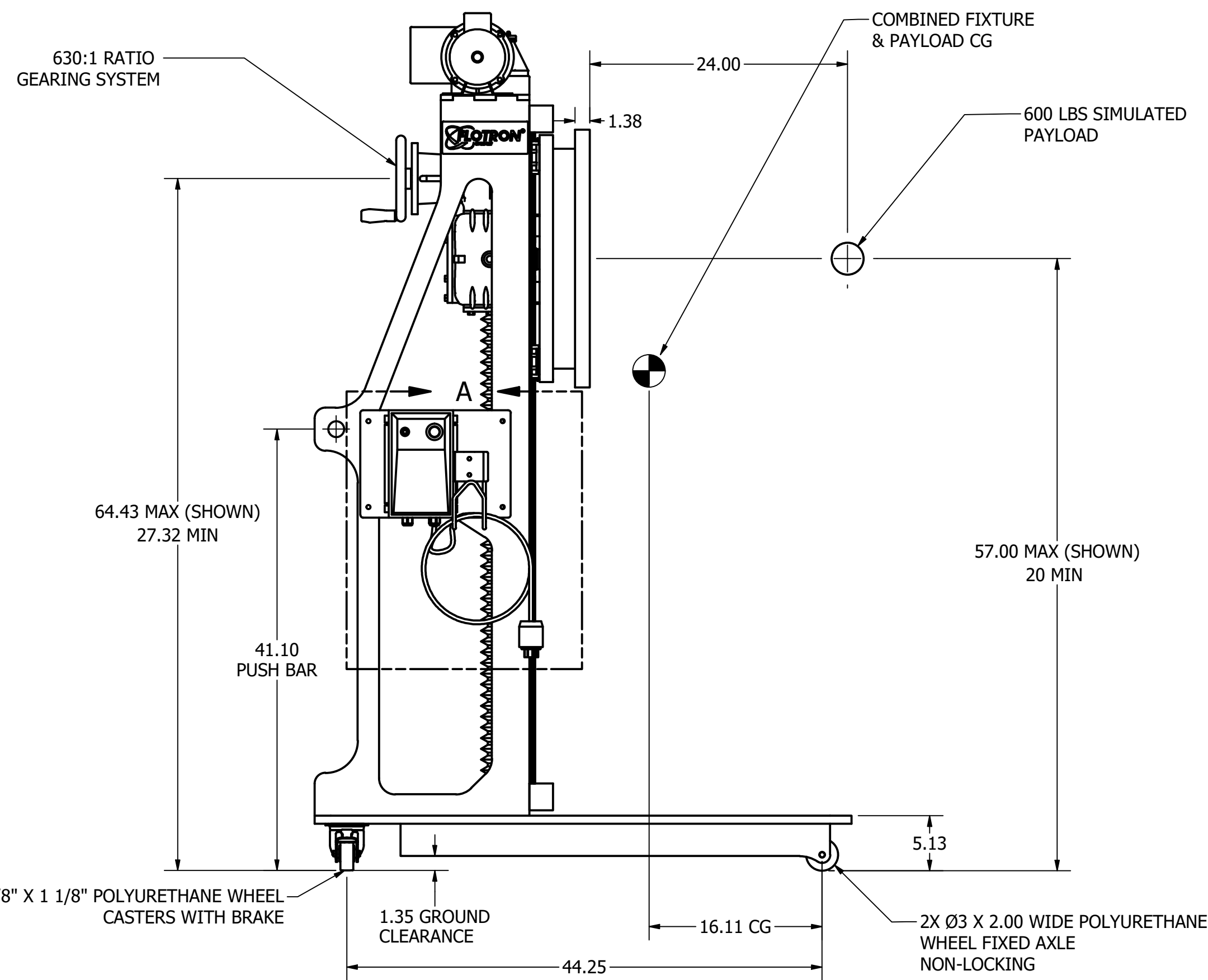
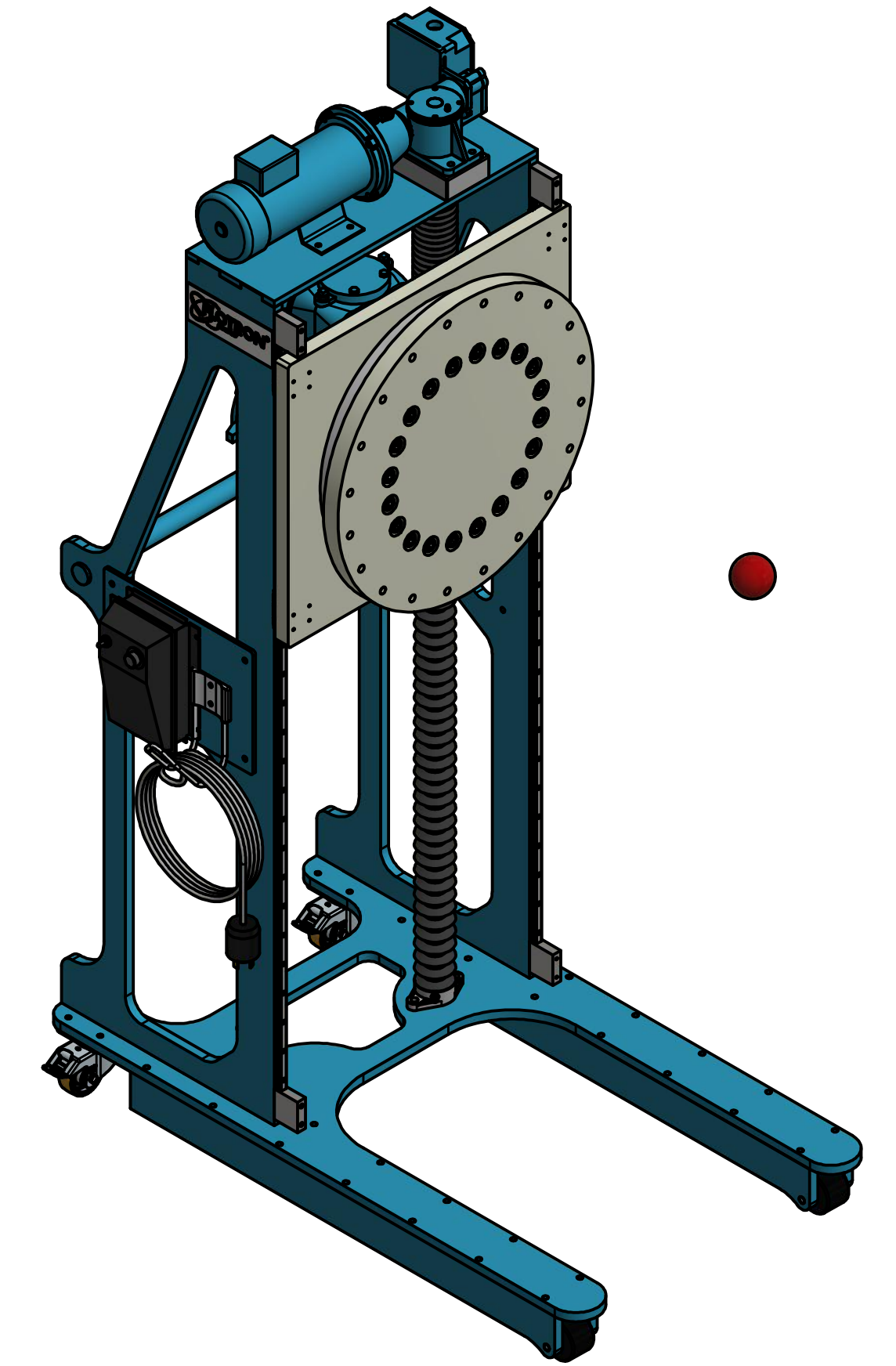
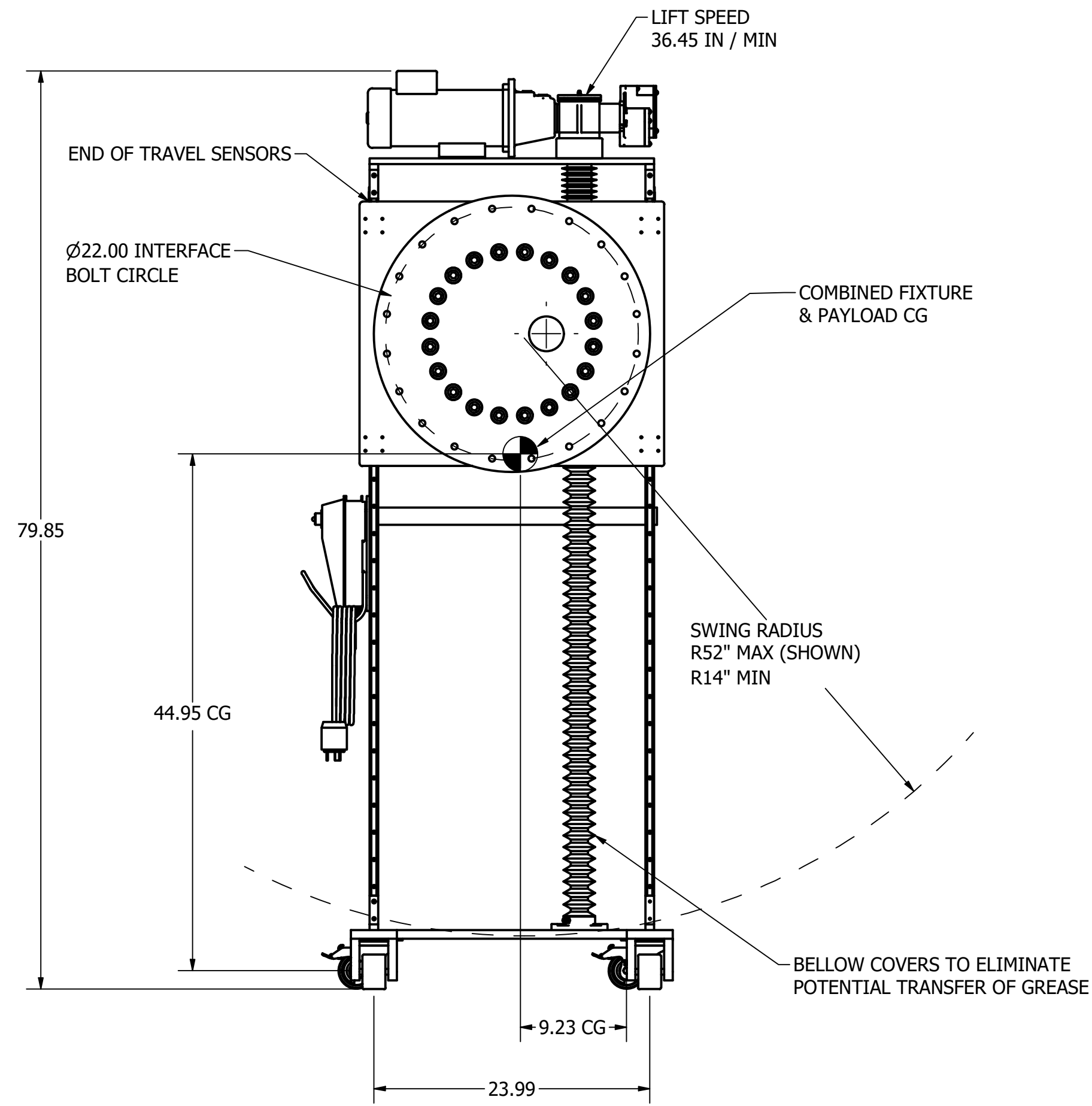


DETAIL A
SCALE 1 : 5



LONGITUDINAL TIPOVER: $16.11 / 44.95 = .35G$



LATERAL TIPOVER: $9.23 / 44.95 = .20G$

3. FINISHES:

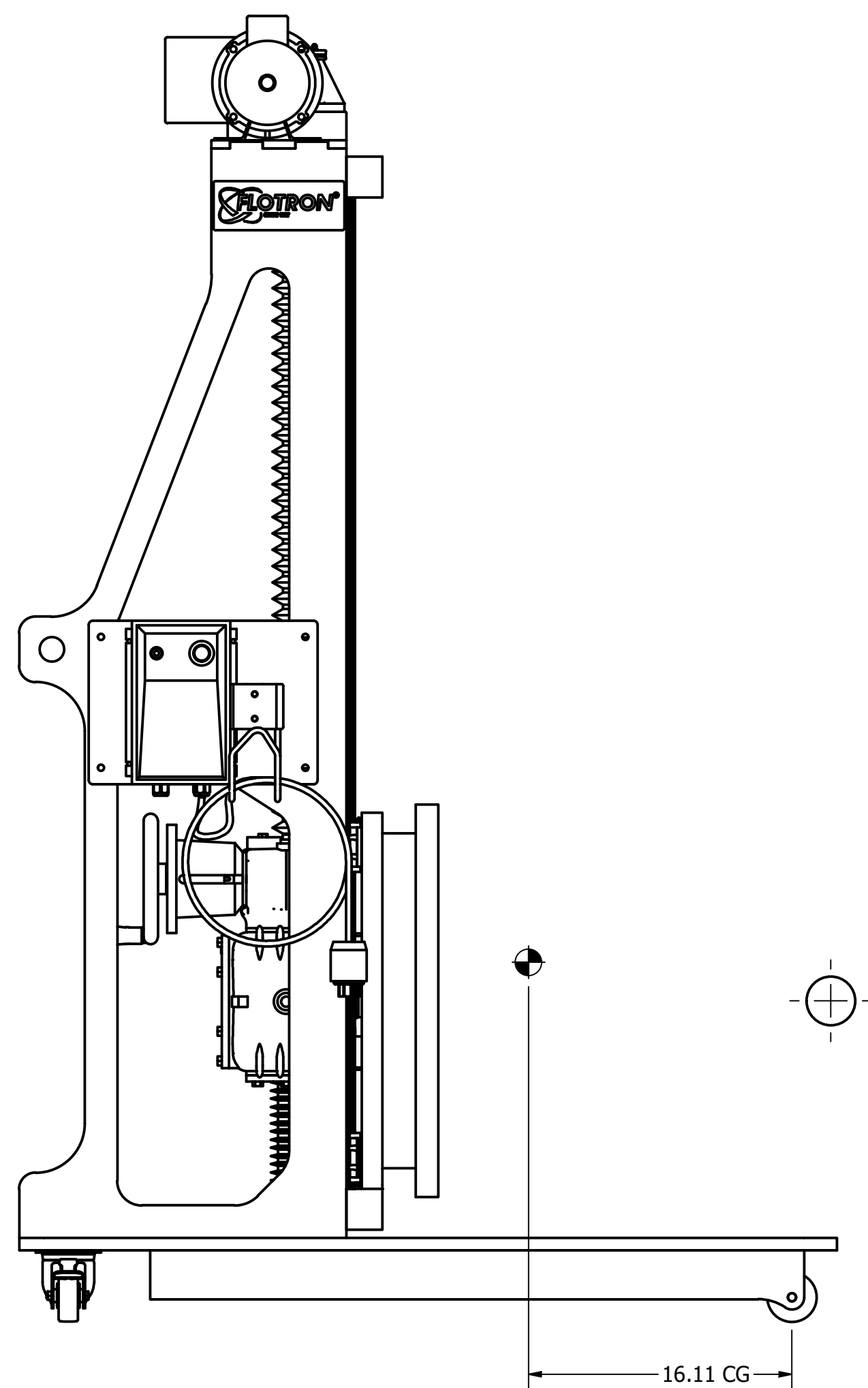
- A. CLEAN ROOM COMPATIBLE FINISHES "C" FINISH- SKY WHITE POWDER COATED END FRAMES, GEARBOX PAINTED GLOSS WHITE EPOXY, NICKEL PLATED COMPONENTS (NO ZINC), STAINLESS STEEL FASTENERS AND MISC. HARDWARE. OPEN-ENDED TUBES NICKEL PLATED. KRYTOX GPL 207 LUBRICANT ON CASTERS.
 - B. "N" FINISH - FLOTRON BLUE POWDER COATED END FRAMES, GEARBOX PAINTED FLOTRON BLUE, NICKEL PLATED COMPONENTS (NO ZINC), STAINLESS STEEL, OR BLACK OXIDE FASTENERS AND MISC. HARDWARE. STANDARD LUBRICANTS.
 - C. STANDARD FLOTRON FINISHES - FLOTRON BLUE POWDER COATED END FRAMES, GEARBOX PAINTED FLOTRON BLUE, ZINC PLATED STEEL OR BLACK OXIDE FASTENERS, MISC. HARDWARE, AND COMPONENTS. STANDARD LUBRICANTS.
2. LOAD RATING: 600 LBS @ 24.0" MAX OFFSET FROM INTERFACE WITH 3.0" MAX ECCENTRICITY CONSIDERING A SIMULTANEOUS 1/2G SIDE LOAD (WORST CASE DIRECTION) AND A 1G VERTICAL LOAD. SFy=3 & SFult=5. MAX TORQUE ON GEARBOX 1,800 IN-LBS (1,800 IN-LBS MAX EASY CRANK)
1. WEIGHT IN TITLE BLOCK INCLUDES 600 LB PAYLOAD.
- NOTES:

CUSTOMER APPROVAL REQUIRED
THIS PRINT MUST BE SIGNED AND DATED THEN RETURNED
TO FLOTRON
SIGNATURE _____
PRINT NAME _____
DATE _____
COMPANY _____

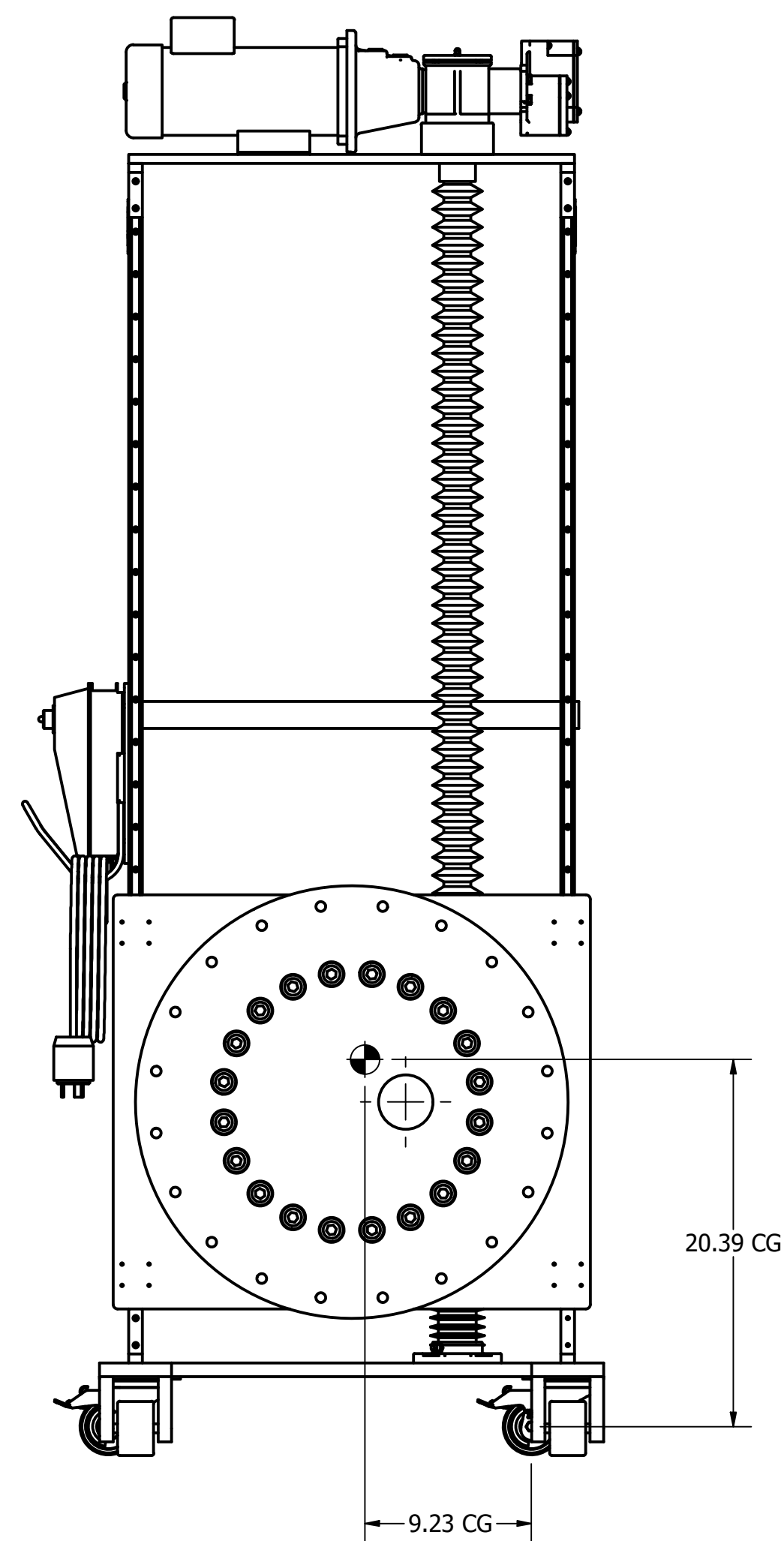
PROPRIETARY

This Drawing is the property of FLOTRON, Inc. and is not to be used, copied or reproduced in any way other than for the particular purpose for which it is provided, and when said purpose has been fulfilled, it should be destroyed or returned to FLOTRON, Inc.

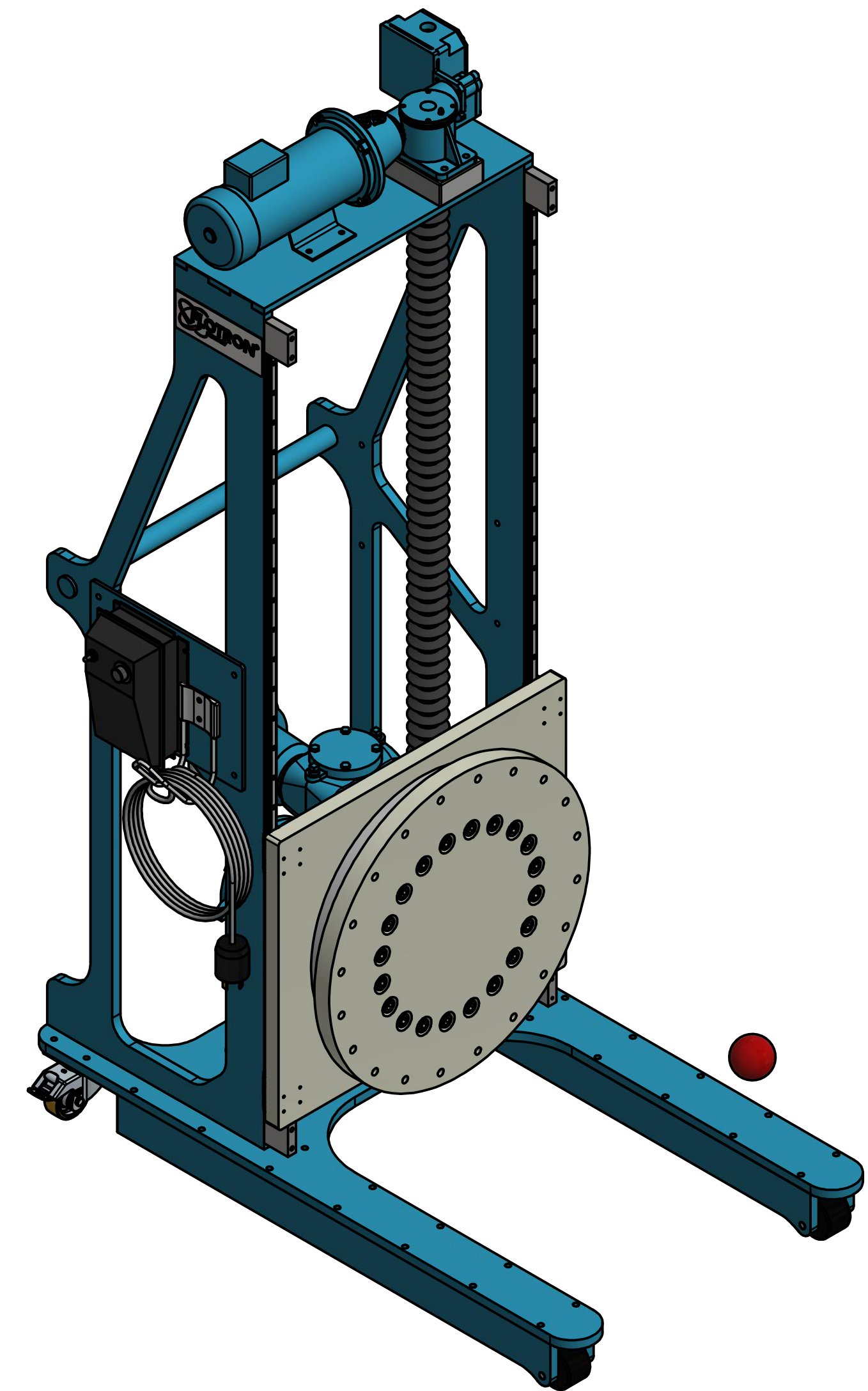
TOLERANCES UNLESS OTHERWISE SPECIFIED:		FRACTION DEC. ANGLES		±.03 ±.010 ±.5°		2630 PROGRESS STREET VISTA, CALIFORNIA 92081 http://www.flotron.com	
APPROVALS	DATE	SCALE		SIZE	DRAWING NO.	REV	
DRAWN TJ	6/30/2020	1:10		D	8105-000 PROP	-	
CHECKED		WT: 1525.9 lbmass		Cad software: Inventor		SHEET 1 OF 2	



LONGITUDINAL TIPOVER: $16.11 / 20.39 = .79G$




LATERAL TIPOVER: $9.23 / 20.39 = .45G$



PROPRIETARY

This Drawing is the property of FLOTIRON, Inc. and is not to be used, copied or reproduced in any way other than for the particular purpose for which it is provided, and when said purpose has been fulfilled, it should be destroyed or returned to FLOTIRON, Inc.

TOLERANCES UNLESS OTHERWISE SPECIFIED		FRACTION DEC.		ANGLES		 2630 PROGRESS STREET VISTA, CALIFORNIA 92081 http://www.flotiron.com	
±.03	±.010	±.5°	XX	XXX	±.5°		
APPROVALS		DATE		8105-000 CANTILEVERED LIFT AND ROTATION FIXTURE			
DRAWN TJ		6/30/2020		SCALE	SIZE	DRAWING NO.	REV
CHECKED				1:10	D	8105-000 PROP	-
MFG				WT: 1525.9 lbmass		Cad software: Inventor	SHEET 2 OF 2