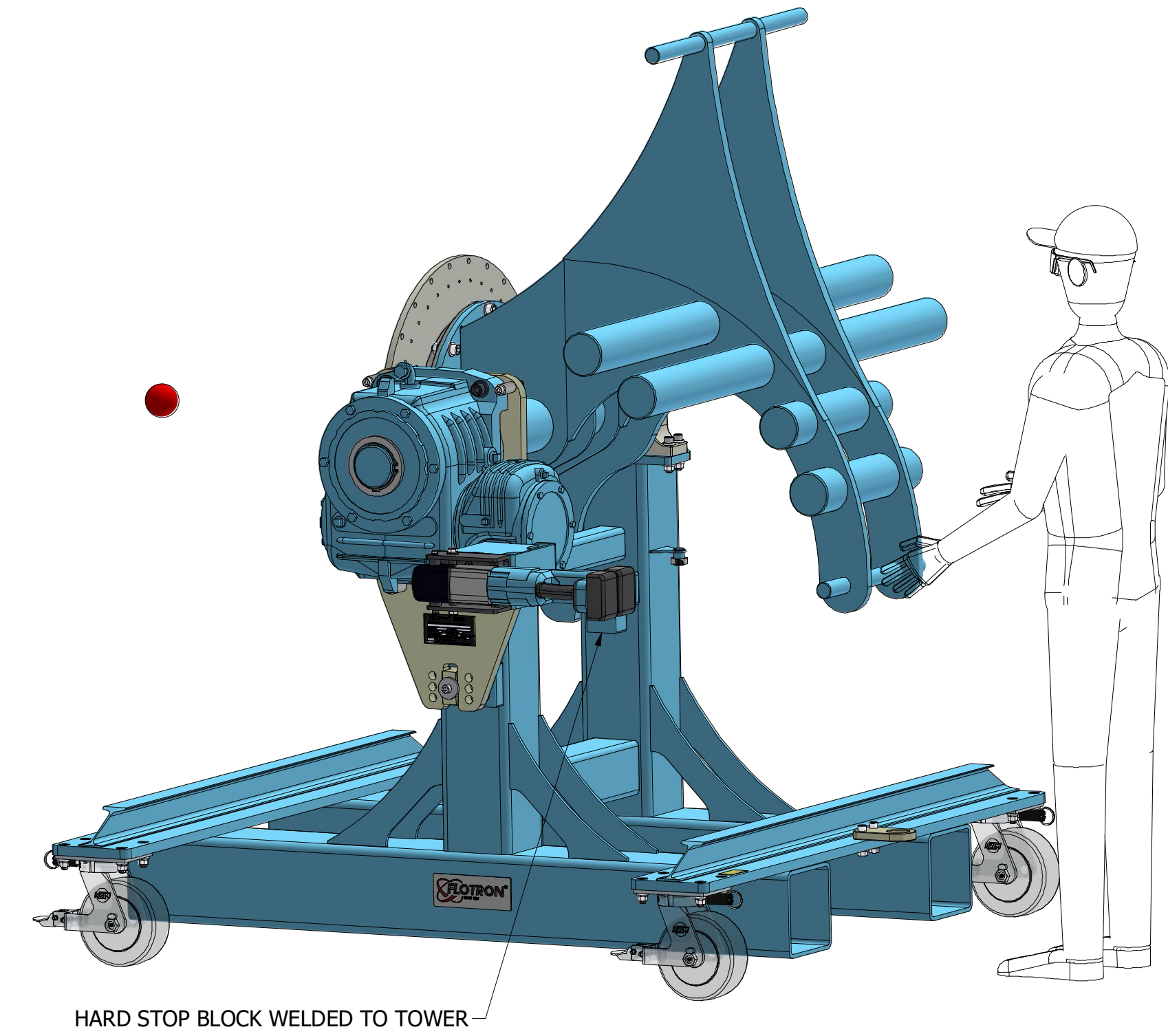
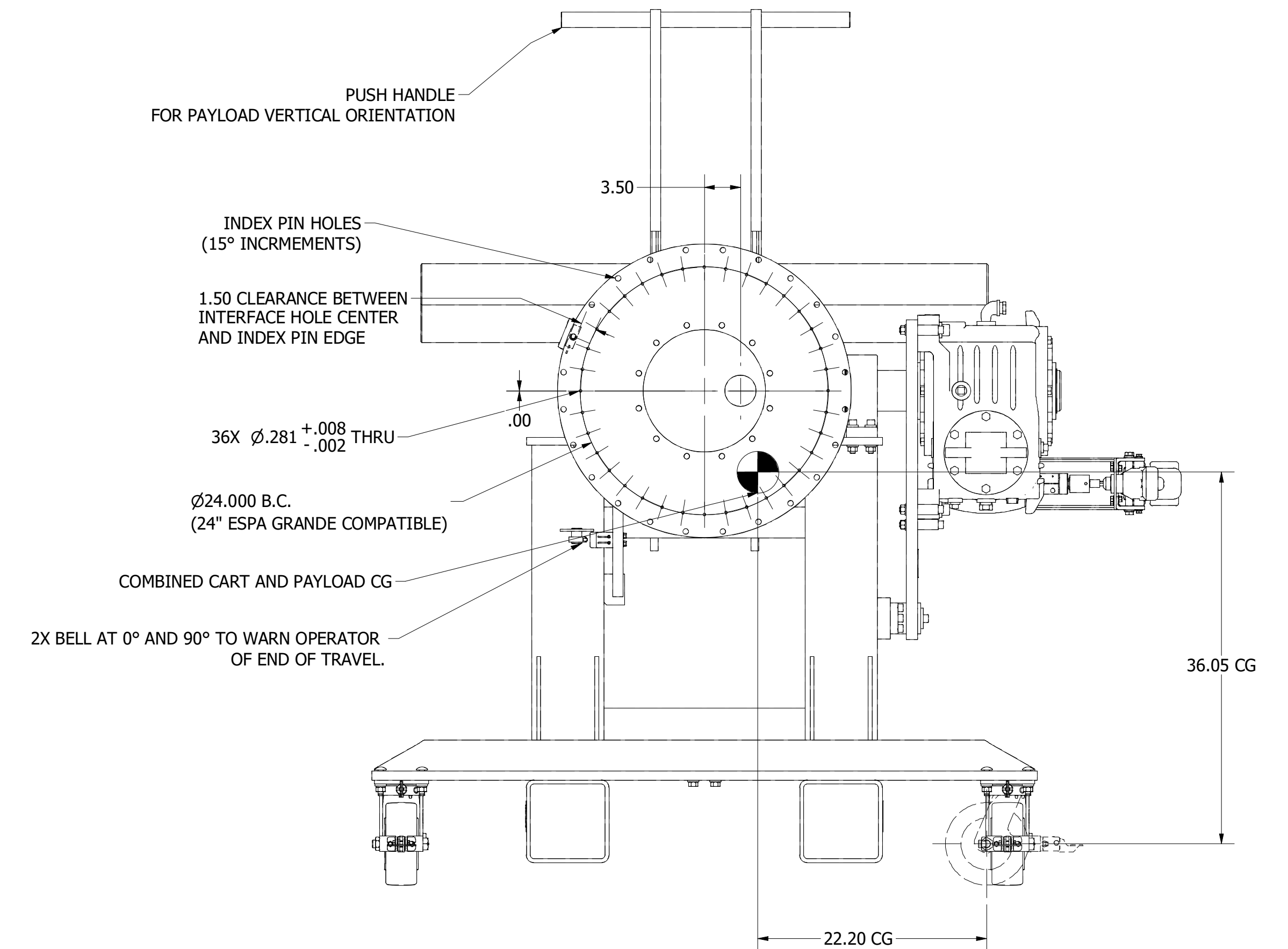
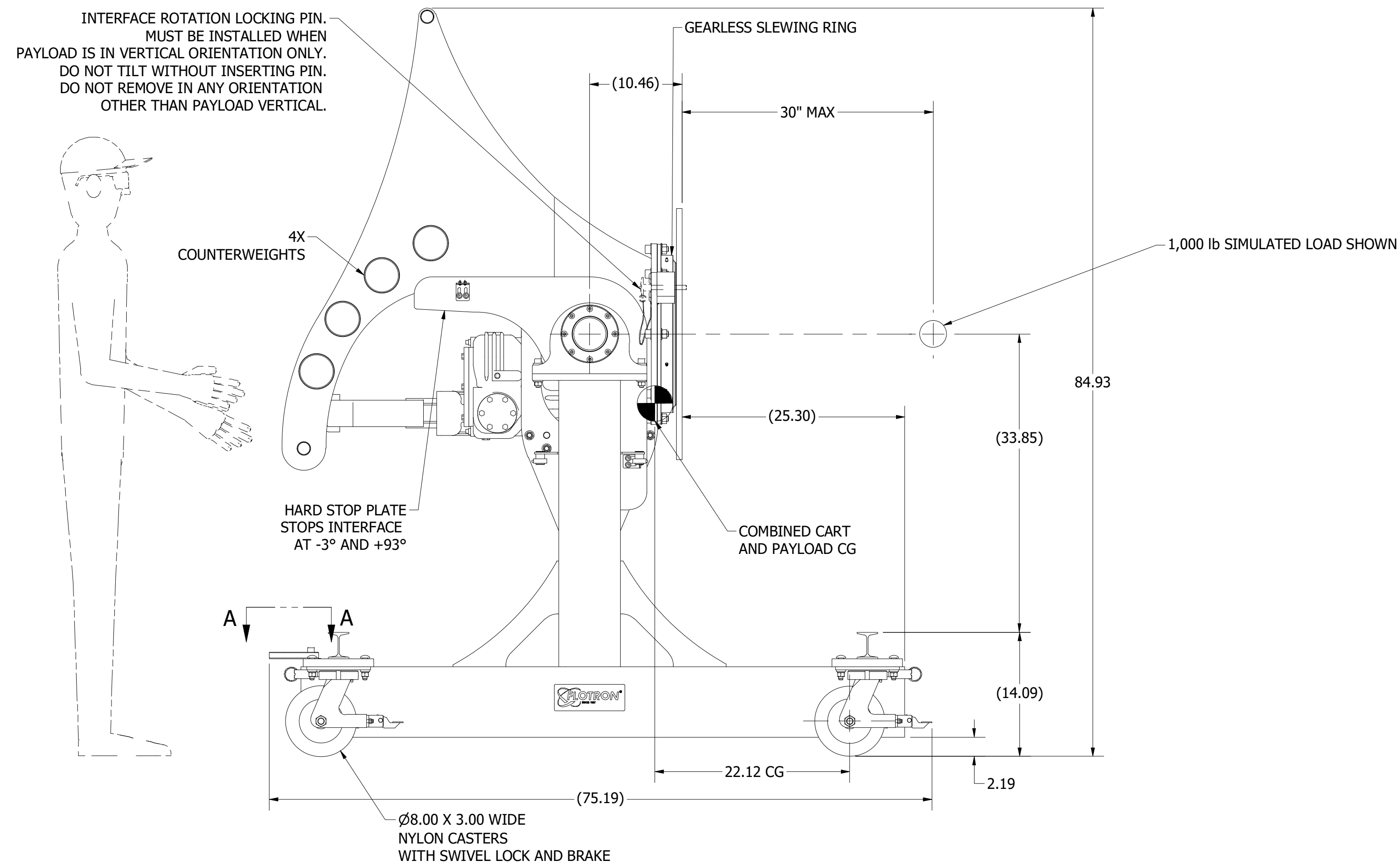


SECTION A-A
TOW HOOK
SCALE 1 : 4



HARD STOP BLOCK WELDED TO TOWER



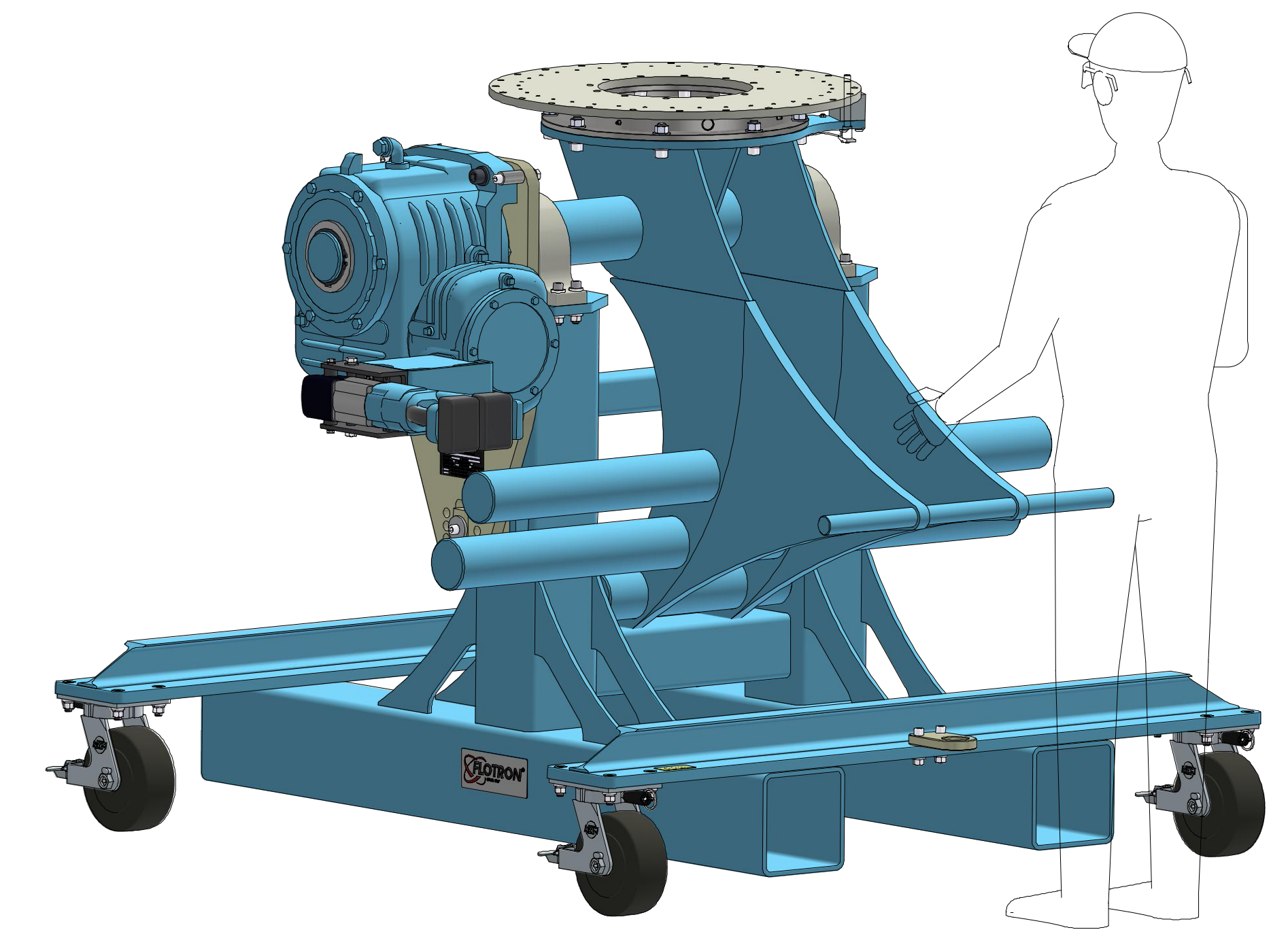
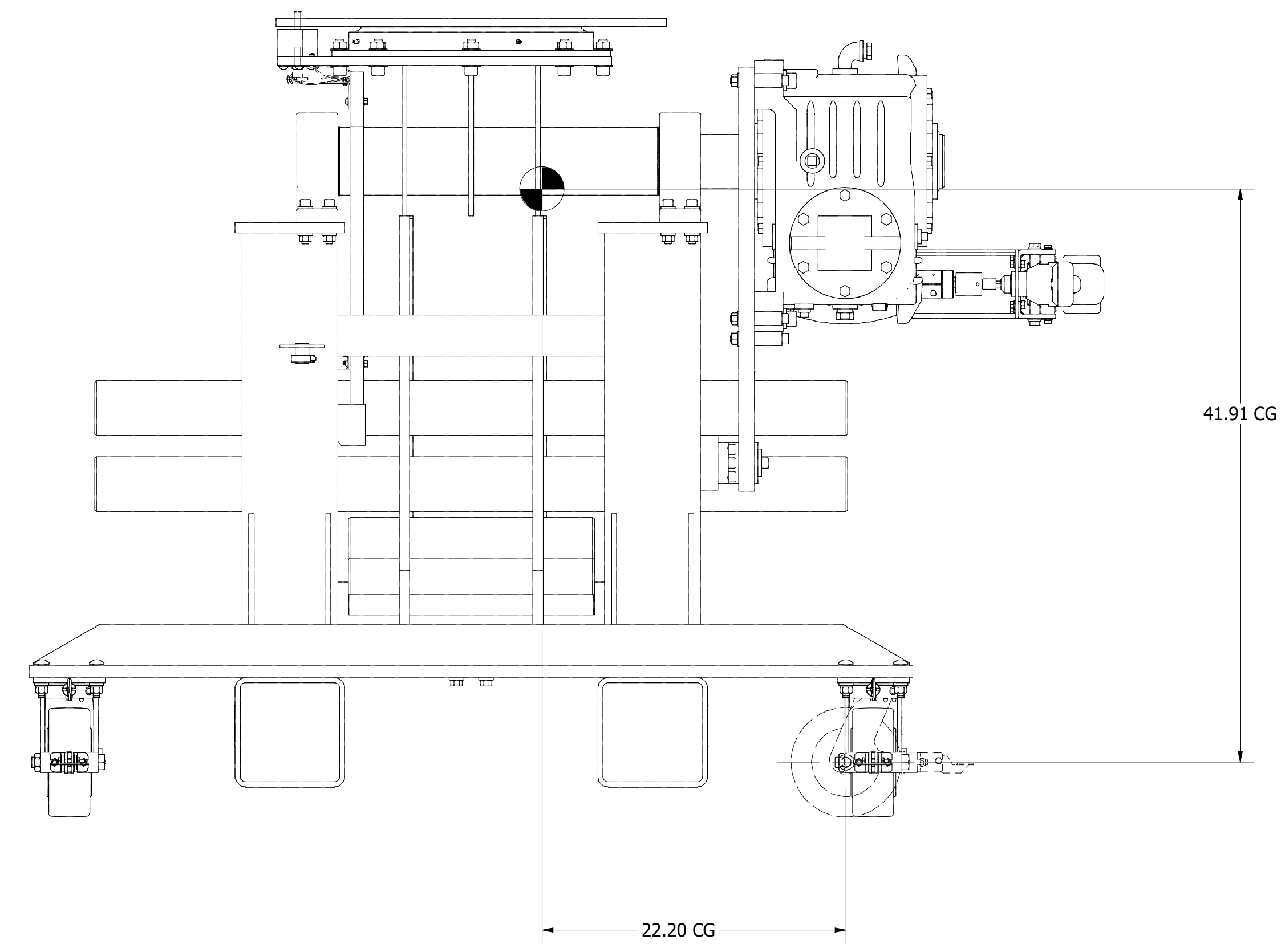
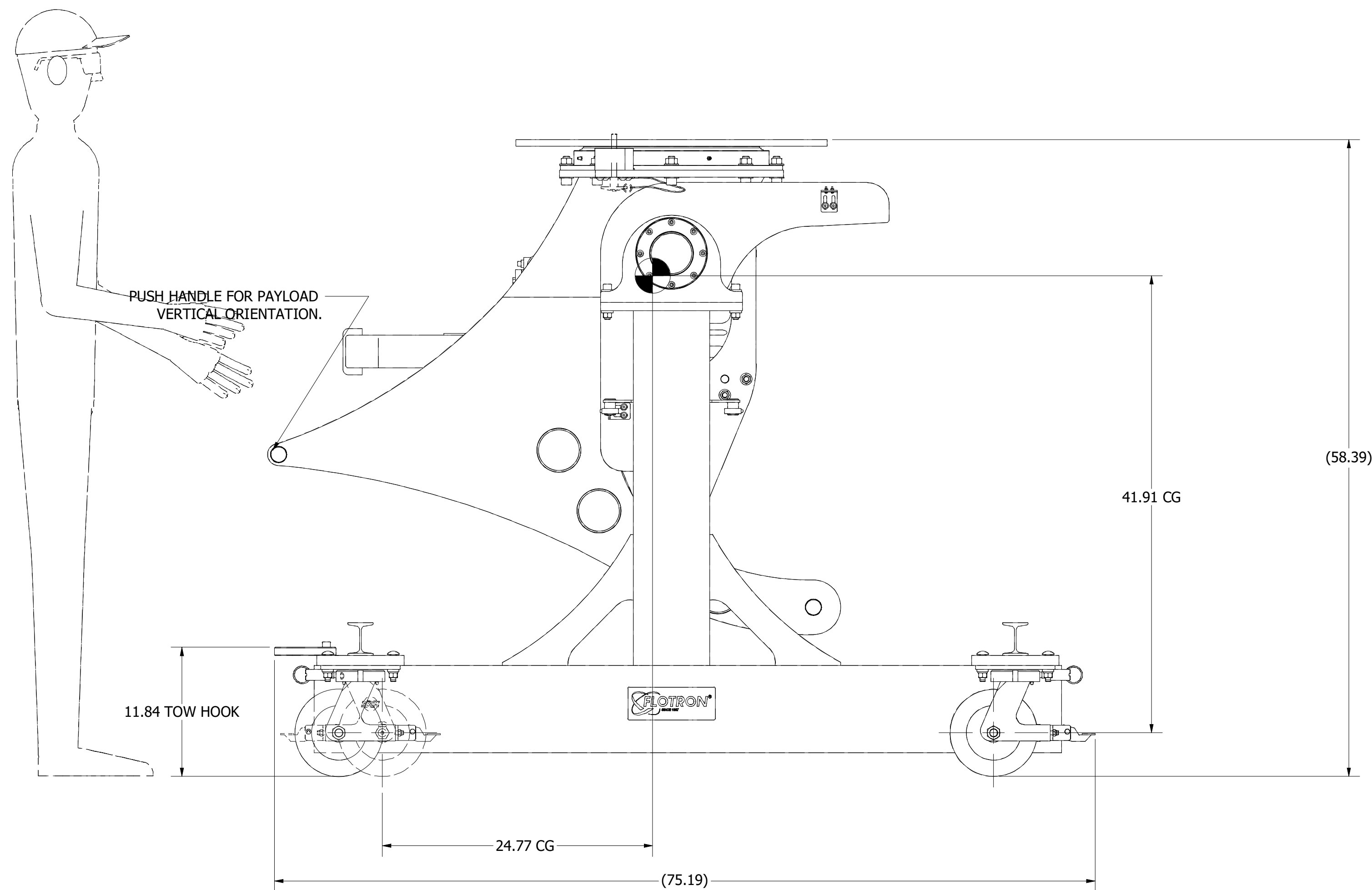
- AUDIBLE BELL TO ALERT OPERATOR TO STOP ROTATION AT APPROXIMATELY -1.5° AND +91.5°.
 - FINISHES: STANDARD FLOTTRON FINISHES - FLOTTRON BLUE POWDER COATED END FRAMES, GEARBOX PAINTED FLOTTRON BLUE, ZINC PLATED STEEL OR BLACK OXIDE FASTENERS, MISC. HARDWARE, AND COMPONENTS. STANDARD LUBRICANTS.
 - LOAD RATING: 1,000 LBS @ 30° FROM INTERFACE CONSIDERING A SIMULTANEOUS 1/2G SIDE LOAD (WORST CASE DIRECTION) AND A 1G VERTICAL LOAD. SFy=3 & SFult=5. 3.5" MAX ECCENTRICITY FROM PRIMARY AXIS TO MAINTAIN STABILITY.
- NOTES:

PROPRIETARY
This Drawing is the property of FLOTTRON, Inc. and is not to be used, copied or reproduced in any way other than for the particular purpose for which it is provided, and when said purpose has been fulfilled, it should be destroyed or returned to FLOTTRON, Inc.

TOLERANCES UNLESS OTHERWISE SPECIFIED		FRACTION DEC. ANGLES		±.03 ±.010 ±.5°	
2X XXX		XXX		XXX	
APPROVALS		DATE		SCALE	
DRAWN AJZ		5/6/2022		1 : 10	
CHECKED				SIZE D	
MFG				DRAWING NO. SSU	
				REV -	
WT: N/A		Cad software: Inventor		SHEET 1 OF 2	

FLOTTRON 2630 PROGRESS STREET
VISTA, CALIFORNIA 92081
http://www.flotron.com

SMALL SATELLITE UPENDER



This Drawing is the property of FLOTRON, Inc. and is not to be used, copied or reproduced in any way other than for the particular purpose for which it is provided, and when said purpose has been fulfilled, it should be destroyed or returned to FLOTRON, Inc.

		2630 PROGRESS STREET VISTA, CALIFORNIA 92081 http://www.flotron.com	
		SCALE 1 : 10	SIZE D
SHEET 2 OF 2			